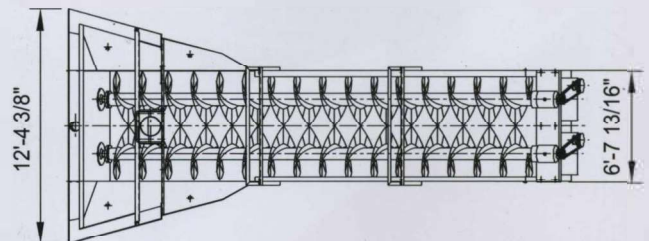
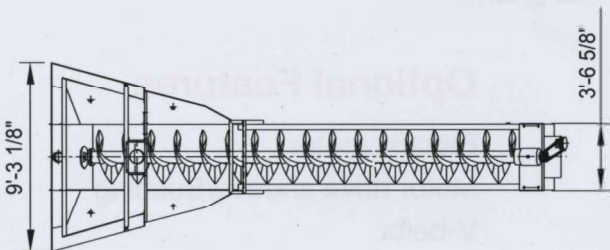
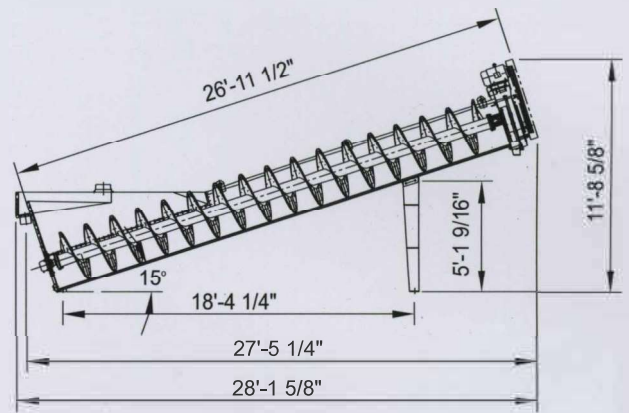
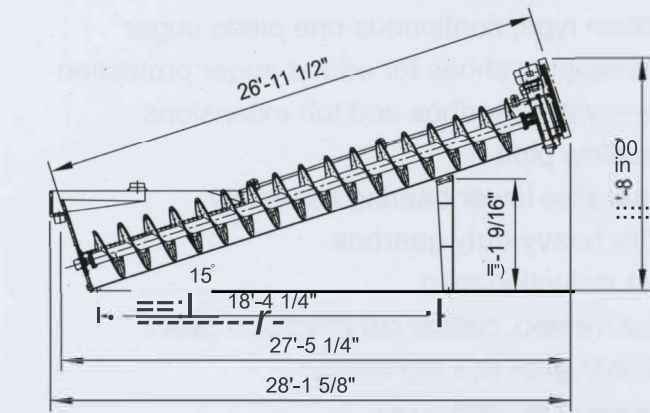




The Affordable Alternative in New Crushing Equipment

Specifications

Model	PSS 3625	PSST 3625
Number of screw	1	2
Screw diameter (Inches)	36	36
Tub length (Feet)	25	25
Max. feed size (Inches)	3/8	3/8
Capacity (TPH)	50-100	100-200
Screw speed (RPM)	21	21
Recommend motor (HP)	15	15 x 2
Water requirement (GPM)	180-700	350-1250
Weight (LBS)	14,500	25,500
Drive Sheave (Inches)	6	6
Driven Sheave (Inches)	7 3/8	7 3/8



Design & Specifications Subject to Change Without Notice

11778 Cherry Avenue, Fontana, CA 92327
Tel: (951) 831-1538 Fax: (951) 831-9128